

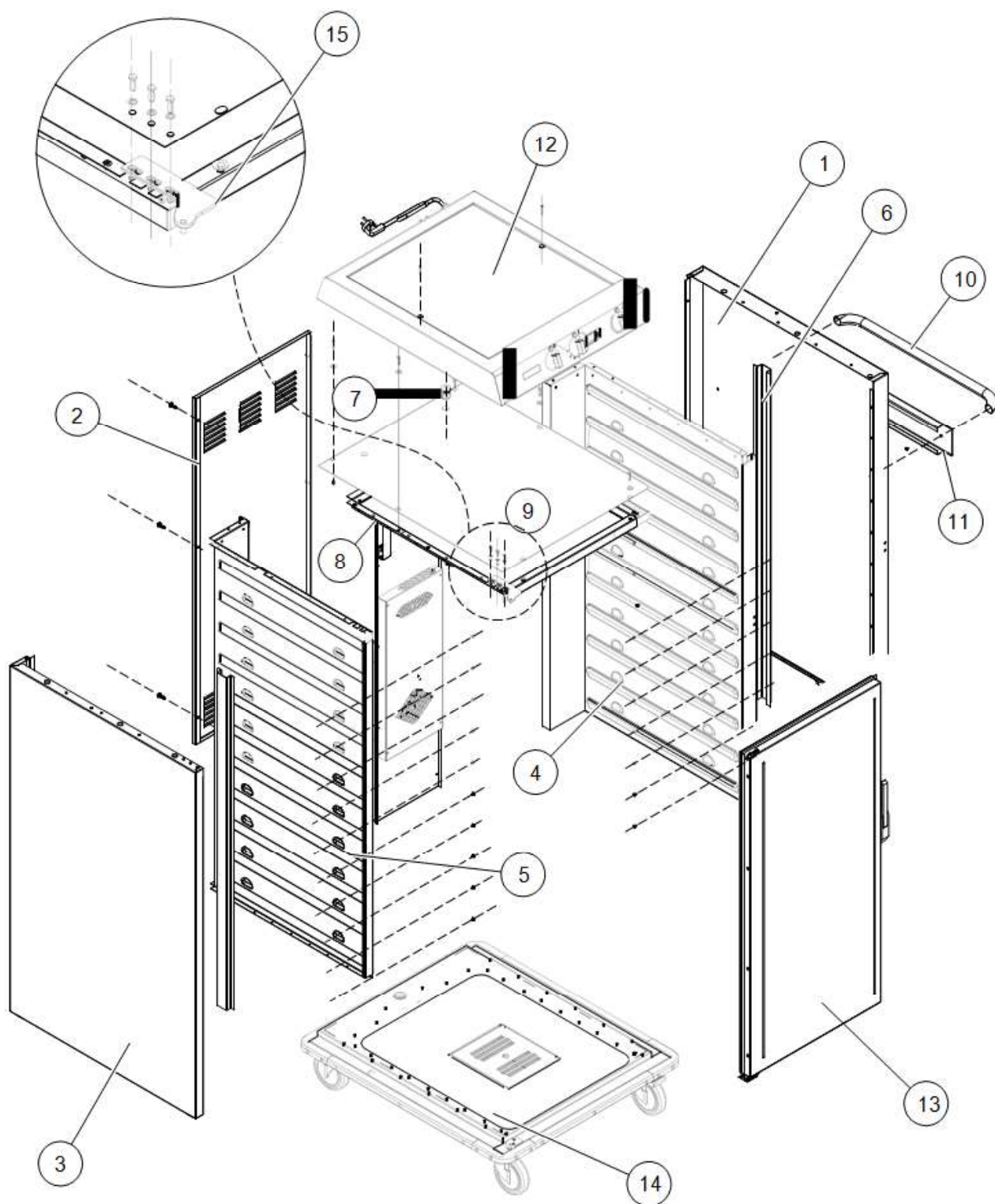
Service Trolleys

Heated Banquet Trolley - 10x2/1 GN



Rel.	Date	File	Author	Note
1	11/10/2011	SPC351156	M. Stramare	
2	23/06/2016	SPC351156	M. Stramare	

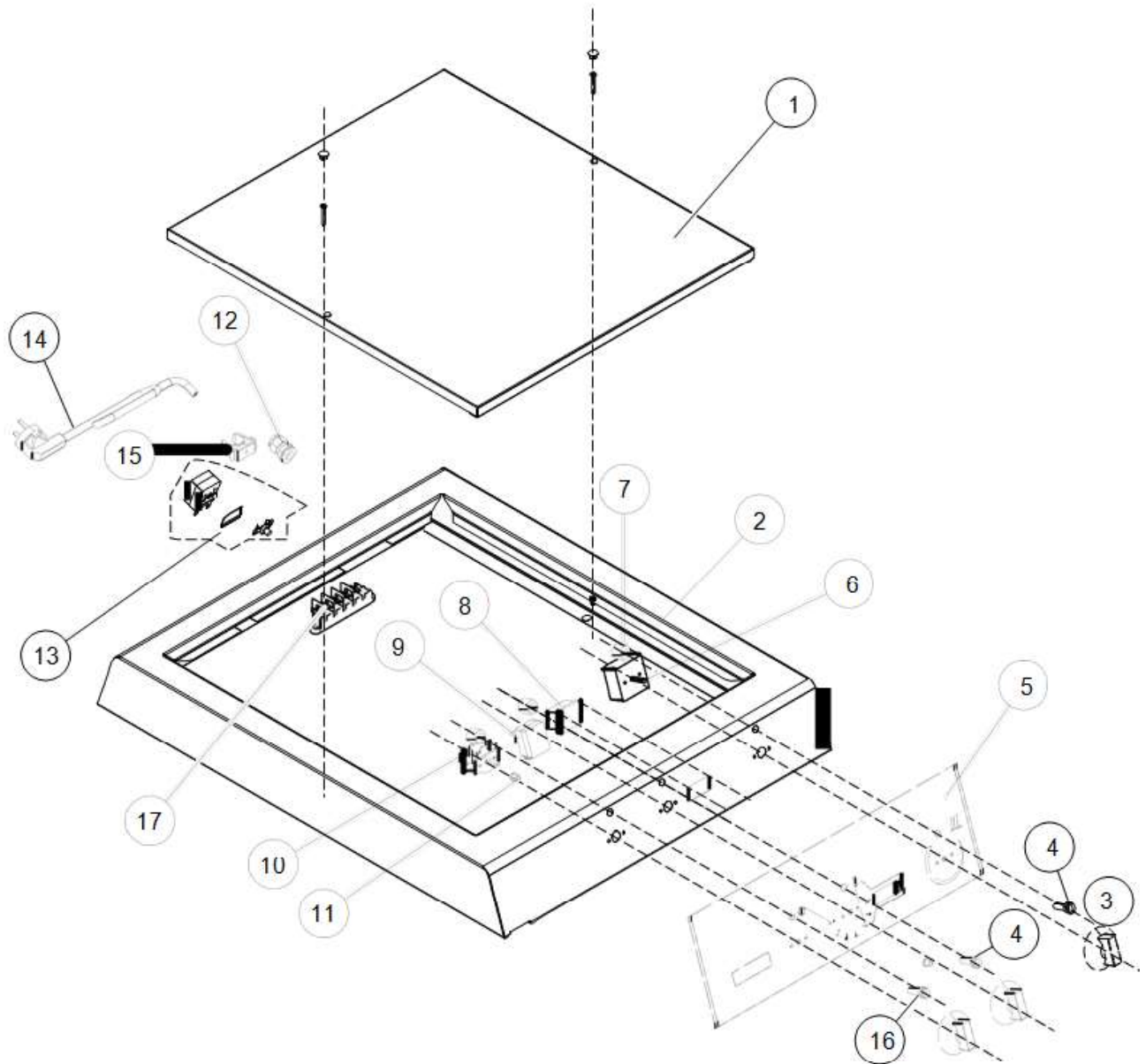
OUTER PLATES



N°	Part Number	Part name	Quantity (pcs)
1	2021 0530	CONTROL PANEL	1
2	2021 0518	PANEL LOWER PLATE	1
3	2021 0512	BODY CEILING PLATE	1
4	2021 0580	UPPER HINGE COMPLETE	1
5	2021 0520	**HINGE UPPER ASSEMBLY	1
5	2021 0517	REAR PLATE	1
6	2020 0526	BODY SUPPORT PLATE	1
7	2021 0520	SIDE PLATE RIGHT	1
8	2020 3050	REPULSION BRACE COMPLETE	1
9	2021 0304	BANQUETTE SHELF PLATE RIGHT	1
10	2021 0526	TRAY ARRANGEMENT INTERMEDIATE PLATE	1
11	2021 0527	TRAY ARRANGEMENT FRONT INTERMEDIATE PL	1
12	2021 0525	TRAY ARRANGEMENT INTERMEDIATE PLATE LEFT	1
13	2020 0540	COMPLETE DOOR	1
14	2021 0536	OUTER SIDE PLATE MIDDLE	1
15	2021 0541	LEFT DOOR	1
16	2021 0540	RIGHT DOOR	1
17	2021 0303	BANQUETTE SHELF PLATE LEFT	1
18	2021 0500	LOWER CARCASS	1
19	2020 0541	**UPPER HINGE COMPLETE RIGHT	1

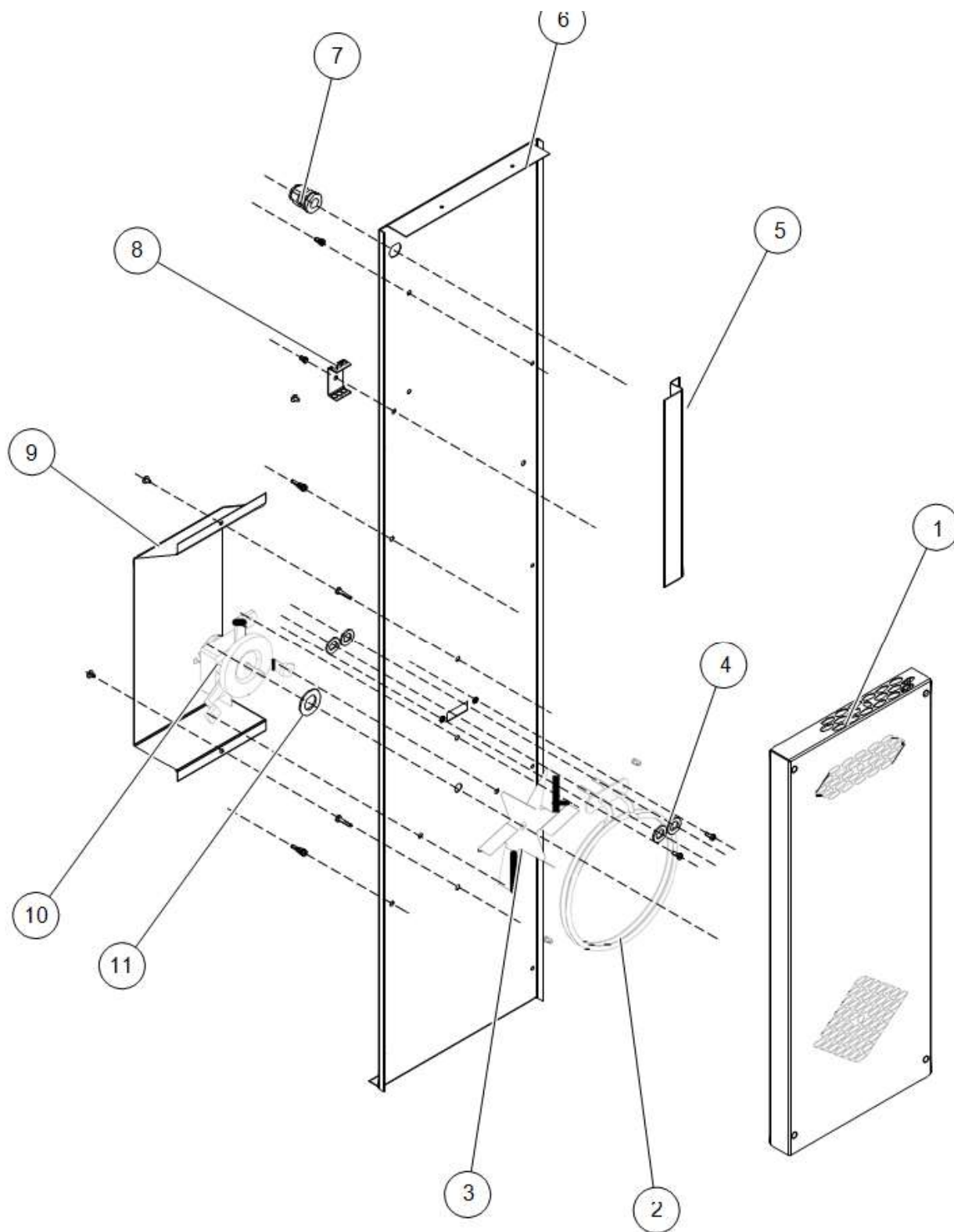
** HING ASSEMBLY: If necessary to change material wick products made before 2016, this hinge will be used

CONTROL PANEL



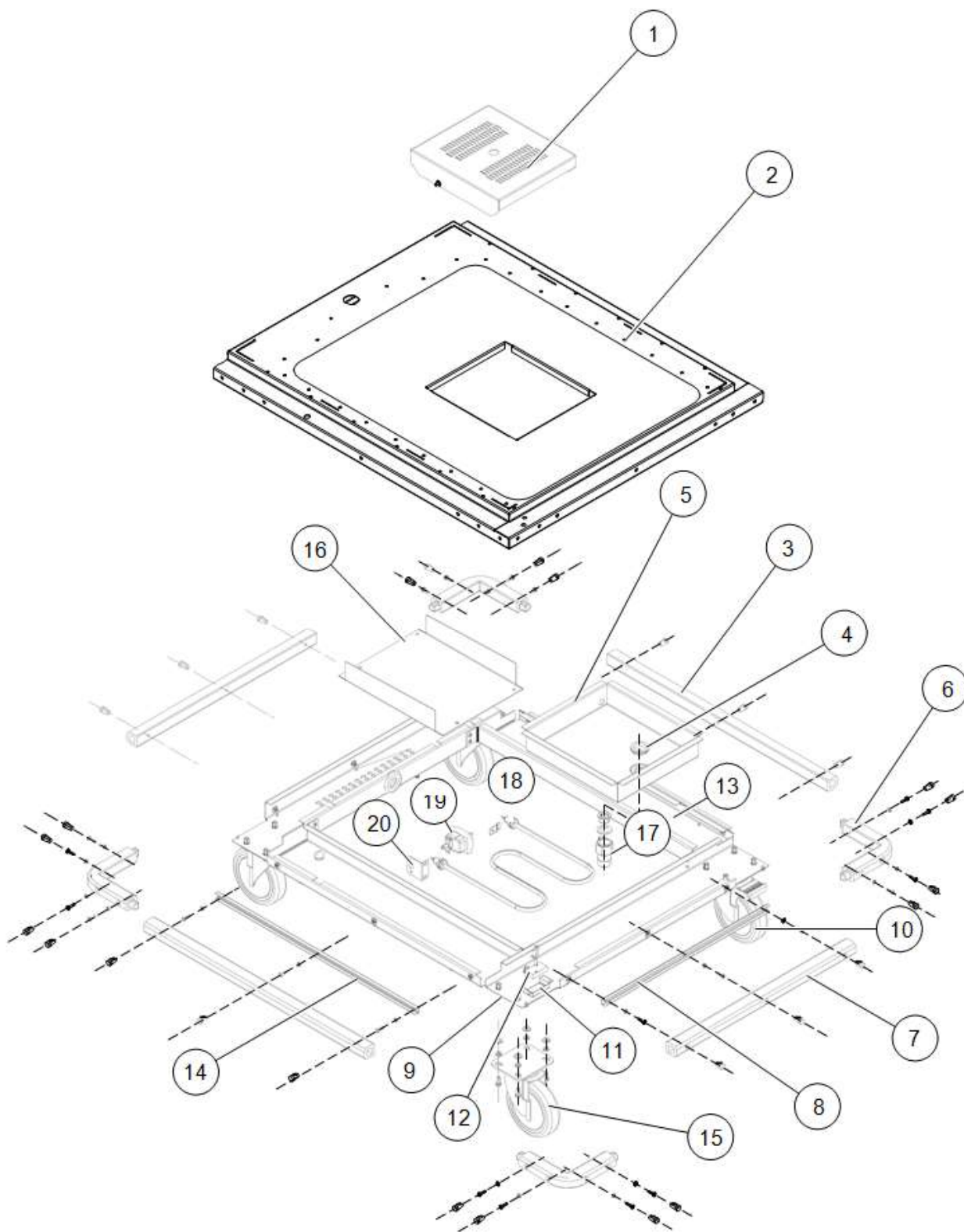
N°	Part Number	Part name	Quantity (pcs)
1	2020 0534	UPPER COVER PLATE	1
2	2020 0532	PANEL PLATE	1
3	2020 6112	BUTTON (ELEKTROLUX)	3
4	1008 0008	SIGNAL LAMP	2
5	2020 9102	PANEL SCREEN PRINT	1
6	1009 1000	ENERGY REGULATOR	1
7	2020 6114	BUTTON GASKET	3
8	1010 0170	DIGITAL THERMOSTAT	1
9	1010 0021	THERMOSTAT 30-50°C	1
10	1001 0301	SWITCH	1
11	1406 2011	HINGE SHAFT BED	1
12	1003 1000	UNION BAKELITE PG-11 GREY	1
13	1010 0025	THERMOSTAT LIMIT 125°C	1
14	1002 0101	TAG CABLE	1
15	1003 0702	FLUORESCENT CONNECTION CLAMP	1
16	1008 0004	SIGNAL LAMP YS10TYELLOW	1
17	1004 0027	CONNECTOR BLOCK TERMINAL WITH 3 CON.	1

MOTOR GROUP



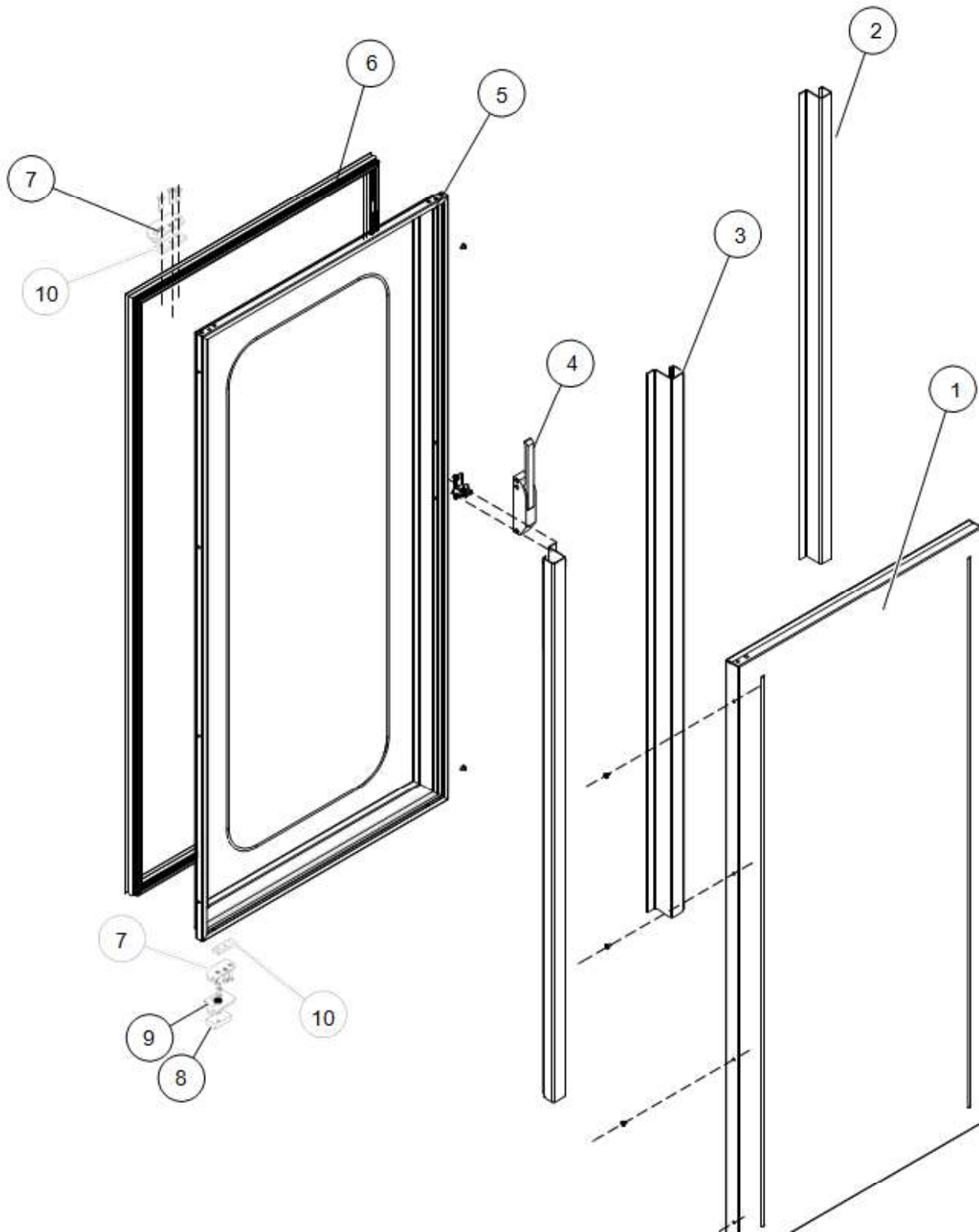
N°	Part Number	Part name	Quantity (pcs)
1	2020 0516	FAN GUARD PLATE	1
2	2020 7022	HEATER 1500W 230V	1
3	1014 0005	FAN PROPELLER	1
4	1207 0012	KLINGERITE GASKET	4
5	2020 0528	THERMOCOUPLE PLATE	1
6	2020 0513	REAR INNER PLATE 304SB	1
7	1003 1000	UNION BAKELITE PG-11 GREY	1
8	2020 0367	THERMOCOUPLE CONNECTION PLATE	1
9	2020 0525	MOTOR HOUSING PLATE	1
10	1014 0036	FAN MOTOR	1
11	1207 0013	KLINGERITE GASKET	1

CARCASS COMPLETE



N°	Part Number	Part name	Quantity (pcs)
1	2020 0548	STRAINER PèLATE	1
2	2020 0502	LOWER TABLE PLATE	1
3	2020 6106	TYRE DAMPER SIDE GRAY	2
4	2700 6108	CONDENSER FRONT PANEL GASKET	1
5	2020 0509	POOL PLATE	1
5	2020 6102	COVER DAMPER	4
6	2020 6103	TYRE DAMPER FRONT GRAY	2
7	2020 0544	DAMPER CONNECTION PLATE	2
8	2020 0503	WHEEL PLATE FRONT	1
9	1407 0026	WHEEL BRAKE	2
10	2020 0558	LOCK RATCHET CONNECTION PLATE	1
11	2020 0559	LOCK RATCHET CONNECTION SHEET BAR	1
12	2020 0565	FRAME SUPPORT PLATE 430SB	2
13	2020 0545	DAMPER CONNECTION PLATE	2
14	1407 0027	WHEEL	2
15	2020 0505	CABLE GUARD PLATE	1
16	1201 0003	VALVE BALL	1
17	2630 7022	HEATER 1000W	1
18	1010 0020	THERMOSTAT 0-110°C TECASA	1
19	2020 0549	CONNECTION PLATE 4302B	1
20	2020 0502	LOWER TABLE PLATE	1

DOOR COMPLETE



N°	Part Number	Part name	Quantity (pcs)
1	2020 0542	DOOR PLATE OUTER 304SB	1
2	2020 0577	DOOR INNER STIFFENING PLATE 304	2
3	2020 0578	DOOR INNER STIFFENING PLATE 304	1
4	1312 0035	DOOR LOCK	1
5	2020 0584	DOOR PLATE INNER	1
6	2020 6108	DOOR GASKET	1
7	2020 0579	DOOR HINGE 3042B	2
8	2020 0559	LOCK RATCHET CONNECTION SHHET BAR	1
9	2020 0521	LOWER HINGE COMPLETE	1
9	2020 0583	STEEL FLAT BAR	2